

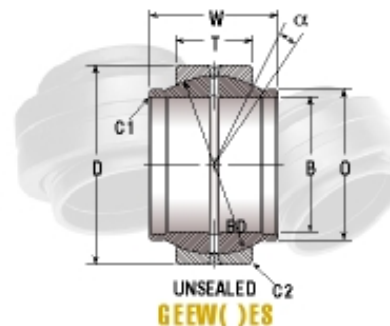
Standard Duty
 SERIES METRIC
 Precision Bearing
 Extended Inner
 Race Unsealed



request a quote

Spherical Plain Bearings:

- inch series
- ◀ **metric series**
- interchange tables
- engineering

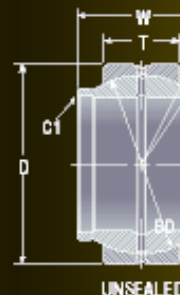


- **Series Interchange**
- **Numeric Interchange**

◀ Back More Metric ▶

LOAD SERIES STANDARD DUTY METRIC EXTENDED INNER RACE UNSEALED

Ball Bore Diam. B		Part No RFQ per item	Outside Diam (1) D		Ball Width W		Race Width T		Ball Diam BD	Tilt Angle α	Shldr Diam O	Shaft Fillet C1	Hsng Fillet C2	Radial Loads (2)	
Nom MM	Tol		Nom	Tol	Nom	Tol	Nom	Tol	Ref	Deg	Ref	Max	Max	Static	Dyn
12	+0.018	GEEW12ES	22	-0.09	12	-.180	7	-.240	18	4	14.5	.3	.3	12,153	2,431
16	+0.018	GEEW16ES	28	-0.09	16	-.180	9	-.240	23	4	18.7	.3	.3	19,804	3,965
20	+0.021	GEEW20ES	35	-0.11	20	-.210	12	-.240	29	4	23.1	.3	.3	32,854	6,754
25	+0.021	GEEW25ES	42	-0.11	25	-.210	16	-.240	35.5	4	29.2	.6	.6	54,007	10,804
32	+0.025	GEEW32ES	52	-0.13	32	-.250	18	-.300	43	4	36.3	.6	1.0	73,128	14,735
40	+0.025	GEEW40ES	62	-0.13	40	-.250	22	-.300	53	4	44.8	.6	1.0	112,507	22,509
50	+0.025	GEEW50ES	75	-0.13	50	-.250	28	-.300	66	4	55.9	.6	1.0	175,504	35,104
63	+0.030	GEEW63ES	95	-0.15	63	-.300	36	-.400	83	4	69.7	1.0	1.0	285,754	57,374
80	+0.030	GEEW80ES	120	-0.15	80	-.300	45	-.400	105	4	88.7	1.0	1.0	450,009	90,005
100	+0.035	GEEW100ES	150	-0.18	100	-.350	55	-.500	130	4	110.1	1.0	1.0	686,251	137,254
125	+0.040	GEEW125ES	180	-0.25	125	-.400	70	-.500	160	4	136.5	1.0	1.0	1,068,754	213,759
160	+0.040	GEEW160ES	230	-0.30	160	-.400	80	-.600	200	4	172.0	1.0	1.0	1,530,008	308,254
200	+0.046	GEEW200ES	290	-0.35	200	-.460	100	-.700	250	4	213.0	1.0	1.0	2,385,004	477,009
Nom MM	Tol	Part No RFQ per item	Nom	Tol	Nom	Tol	Nom	Tol	Ref	Deg	Ref	Max	Max	Static	Dyn
Ball Bore Diam. B			Outside Diam (1) D	Ball Width W		Race Width T		Ball Diam BD	Tilt Angle α	Shldr Diam O	Shaft Fillet C1	Hsng Fillet C2	Radial Loads (2)		



- (1) All tolerances in this catalog are before the outer races are fractured and before application of dry film lubricant
- (2) Ultimate loads for the bearings in this catalog are approximately 1.5 times the catalog load ratings

All dimensions are metric.

GENERAL SERIES INTERCHANGE						
LOAD SERIES STANDARD DUTY METRIC EXTENDED INNER RACE UNSEALED						
LOAD SERIES METRIC	NATIONAL	R.B.C.	SKF	TORRINGTON	ELGES	IKO
Standard Duty Extended Inner Race Unsealed	GEEW () ES	–	GEG () ES	–	GE () LO	–

- For numeric bore size conversion between manufacturers see numerical interchange table.



NATIONAL PRECISION BEARING GROUP
of Mechatronics, Inc.

Phone: 800-426-8038 • 425-222-5900 • Fax: 888-448-1153 • 425-222-5950
E-mail: sales@nationalprecision.com

[Purchase Order Terms and Conditions](#)
[Sales Order Terms and Conditions](#)

Copyright © 2008, National Precision Bearing, Inc.

